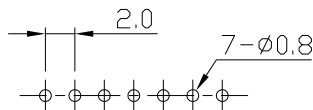
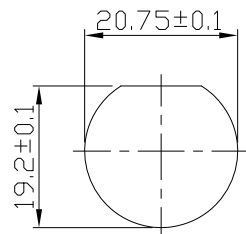
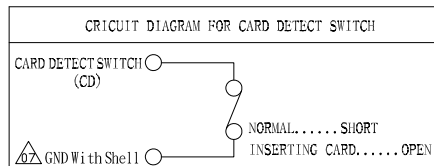


Notes: (Unless Otherwise Specified)

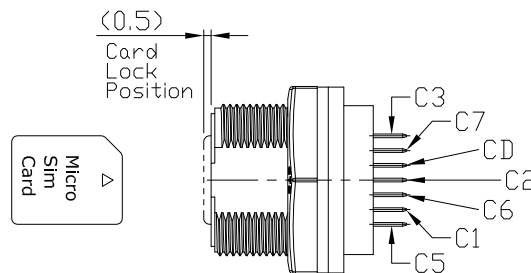
- 1. Waterproof Rate: IP67.
- 2. Recommend Panel Thickness: 0.8 to 6.0 mm.
- 3. Recommend Torque: 14~15 Kgf-cm.
- 4. Mating Cap P/N: GT1C5331X2.
- 5. RoHS Compliant.

| REV | ECN# | DESCRIPTION OF REVISION | DRAW BY DATE | CHECK BY DATE | APPROVE BY DATE |
|-----|------------|--|-----------------|---------------|-----------------|
| 06 | ECN-240321 | Add Circuit Diagram. | Aileen 03/21/24 | Hank 03/21/24 | Lucas 03/21/24 |
| 07 | ECN-240324 | Connected C5 (GND) And Shell Together. | Aileen 03/28/24 | Hank 03/28/24 | Lucas 03/28/24 |



Recommend PCB Layout

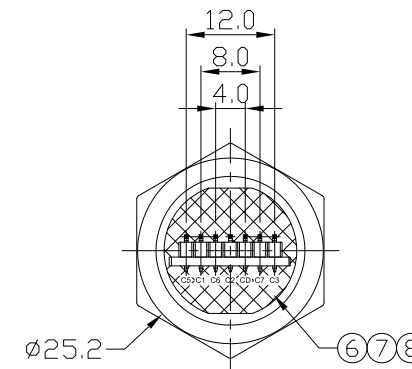
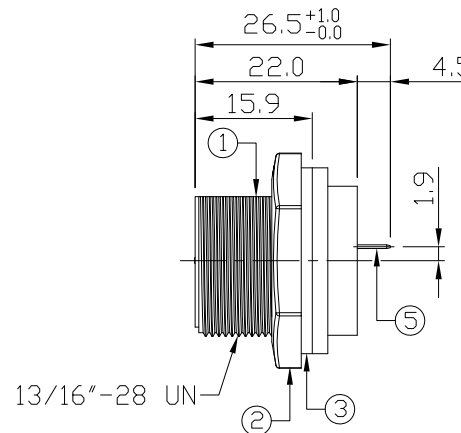
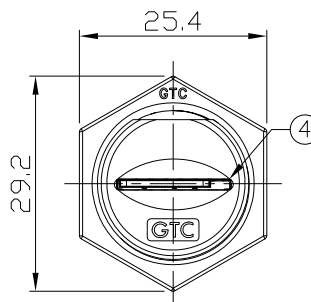
Recommend Panel Cut-Out



| Pin | Description |
|-----|-------------|
| C1 | Vcc |
| C2 | RST |
| C3 | CLK |
| C5 | GND/Shell |
| C6 | Vpp |
| C7 | I/O |
| CD | Card Detect |

Pin Assignment

| 8 | Glue | Epoxy Color: Black | |
|------|---------------------------|---|------|
| 7 | Holder | Silicone Color: Black | 1 |
| 6 | PCB | FR-4 Color:- | 1 |
| 5 | Pin Header | Housing: Thermoplastic, Color: Black Contacts: Copper Alloy, Finish: Au Plated | 1 |
| 4 | Micro SIM Card Receptacle | Insulator: LCP, Color: Black Terminal: Copper Alloy, Finish: Au Plated Shell: Stainless Steel | 1 |
| 3 | Gasket | Silicone Color: Black | 1 |
| 2 | Hex Nut | Thermoplastic Color: Black | 1 |
| 1 | Housing | Thermoplastic Color: Black | 1 |
| Item | Part Name | Material / Finish | Q'ty |



GT Contact CO.,LTD

NOTICE OF PROPRIETARY PROPERTY:

THE INFORMATION CONTAINED HEREIN IS THE PROPRIETARY PROPERTY OF GT CONTACT CO.,LTD THE POSSESSOR AGREES TO THE FOLLOWING:

- (A) TO MAINTAIN THIS DOCUMENT IN CONFIDENCE
- (B) NOT TO REPRODUCE OR COPY IT
- (C) NOT TO REVEAL OR PUBLISH IT IN WHOLE OR PART
- (D) ALL RIGHTS RESERVED

| TITLE | | | | | | DRAWING NUMBER | | | REV. | |
|--|------|-------|-----------------|----------------|----------------|-------------------------|-----------------------------|------|-------|--|
| Micro SIM Card Plastic C3 Panel Jack Screw Dip | | | | | | GT1MSIM01P1 | | | 07 | |
| THIRD ANGLE PROJECTION | SIZE | SCALE | DRAW / DATE | CHECK / DATE | APPROVE / DATE | TOLERANCES | | UNIT | SHEET | |
| | B | 1:1 | Aileen 11/02/22 | Lucas 11/02/22 | Ray 11/02/22 | X.X ± 0.5 X.XX ± 0.2 | X.XXX ± 0.05 ANGLES ± 1° | mm | 1/1 | |